

Full-Color RGB and NIR Sorting

OPTICAL SORTER

RGBR 1401



RGBR 1401

SATAKE CORPORATION

FULL COLOR CAMERAS

The machine is equipped with Japan's latest full color cameras which allow the sorter to match the eye's ability to see true color. The smallest color deviations are identified and rejected.

FLEXIBLE ONE & TWO STAGE SORTING

Switch between one and two stage sorting at the touch of a button. Rejects from the primary sort can be resorted within one unit, to maximise the reject concentration.

SHAPE RECOGNITION

Shape recognition technology enables the machine to sort the material by shape (such as broken or adhered) which conventional colour sorters could not achieve.

AUTOMATIC PROFILING

The machine incorporates advanced software to evaluate the color profile of the product application. It then automatically creates the sensitivity settings for accurate defect removal.

EASY OPERATION

The large touch screen is designed for easy use. The user-friendly interface with simple icons and images provides intuitive operation of the machine.

LED LIGHTING

LED lighting is utilized for optimum performance and long lifetime to reduce the machine's running cost.

The machine serves the latest requirements for sorting rice, lentils, coffee beans, and cereals etc.

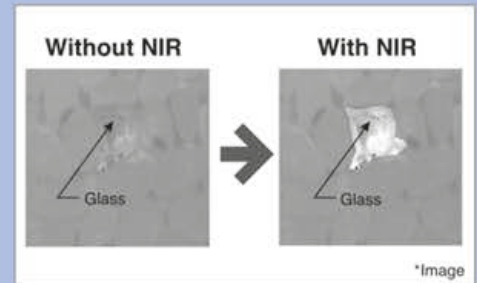


Satake optical sorters provide the optimum solution for effective, reliable, efficient and consistent product sorting.

Near Infrared (NIR) Camera*

Impurities such as glass, plastic and stones which have the same color as the accept material cannot always be detected by a full color camera.

The RGBR series, along with a full color camera, also has the ability to detect and remove foreign materials utilising a high technology NIR camera.

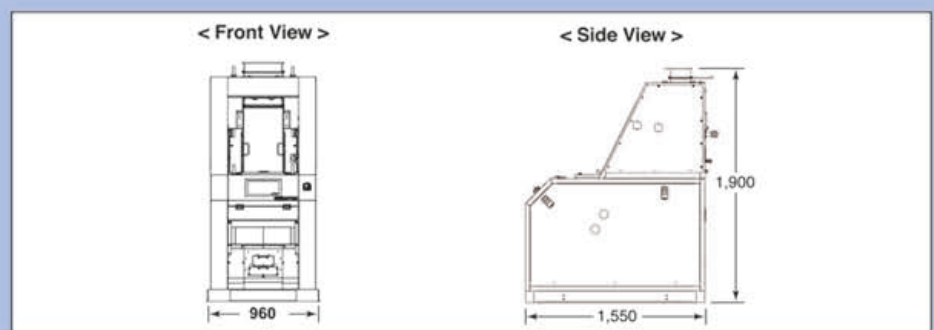


Specifications

Model		RGBR1401BI	RGBR1401BM	RGBR1401AIS	RGBR1401AMS
Number of chutes	Primary sorting	Flat 110 x 3		Flat 110 x 2	
	Secondary sorting	-		Grooved 110 x 1	
Capacity (t/h)*1,2	Coffee	~3		~2	
	White rice	0.6 - 6.6		0.4 - 4.4	
	Brown rice	0.6 - 3.3		0.4 - 2.2	
	Wheat/Barley	0.6 - 3.3		0.4 - 2.2	
RGB Camera		2pcs.			
RGB Pixel		2048 pixels			
NIR Camera *3		1pc		1pc	
Light Source for RGB		LED			
Light Source for NIR *3		-	IR-LED	IR-LED	
Ejector Valve		84 pcs.			
Ejector Pitch		4mm			
Air Consumption		200-500NL/min			
Compressor		2.2-5.5kW			
Power Supply		Single Phase 200-240V			
Power Consumption		0.5kW			
Operation		Full Color Touch Panel 12 Inch			
Net weight(kg)		440			
Dimensions(mm)		W960 X L1,550 X H1,900			

*1 Capacity for all products. *2 Performance varies depending on variety and contamination of material. *3 NIR function is an option.

Dimensions(mm)



All copyright and trademark rights of this catalog belong to Satake Co., unless otherwise noted. Unauthorized copying, reprinting, etc. are forbidden. All Satake products are the subject of continuous development and, as a result, their specification may change and differ in detail from those shown.

SATAKE CORPORATION

Head Office
2-30 Saijo Nishihonmachi,
Higashi-Hiroshima-shi, Hiroshima-ken,
739-8602, Japan
URL : <https://satake-group.com/>

Korea Branch
Alpha mighty Dunsan Building, 13F,
229, Daedeck-daero, Seo-gu, 35229
URL : www.satake-group.com

SATAKE USA INC.
10900 Cash Road,
Stafford, Texas, 77477, U.S.A.
URL : www.satake-usa.com

SATAKE AMERICA LATINA LTDA.
Rua Xavantes, 155-Pav. 20, Bairro
Atradores, CEP 89203-210, Joinville,
Santa Catarina, Brazil
URL : www.satake.com.br

SATAKE EUROPE LTD.
Horsfield Way, Bredbury Industrial Park,
Bredbury, Stockport, Cheshire, SK6 2SU,
U.K.
URL : www.satake-europe.com

SATAKE INDIA ENGINEERING PVT. LTD.
4th Floor, Tower-1, HB Twin Towers, A2,
3, 4, Netaji Subhash Place, Wazirpur
District Centre, New Delhi, 110034, India
URL : www.satakeindia.com

SATAKE (THAILAND) CO., LTD.
133,134 Moo 5, Bangkadi, Mueang
Pathum Thani, Pathum Thani 12000,
Thailand
URL : www.sataketh.com

SATAKE ASIA CO., LTD.
888/84 Mahatun Plaza Bld., 8th Floor,
Ploenchit Rd., Lumpini, Pathumwan,
Bangkok, 10330, Thailand
URL : www.sataketh.com

PT. SATAKE GOBEL INDONESIA
Gedung Surabaya Bumi Mandiri,
Lantai 9, Jalan Jenderal Basuki
Rachmat Nomor 129-137, Unit 905 B,
Indonesia

SATAKE MANUFACTURING (SUZHOU) CO., LTD.
229 Jin Feng Road, Suzhou New
District, Suzhou, Jiangsu Province,
215129, China
URL : www.satake.cn

SATAKE AUSTRALIA PTY. LTD.
15 Leland Street, Penrith, N.S.W.,
2750, Australia
URL : www.satake.com.au

ISO 9001 Certification
(Quality Management Systems)

ISO 14001 Certification
(Environmental Management Systems)

SATAKE CORPORATION has obtained ISO9001 and ISO14001 certification. These international standards for management systems ensure Satake will continue to provide high quality products and services.